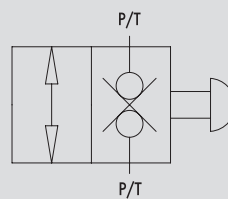


HYDRAULIC DIAGRAM



MANUAL EMERGENCY VALVE

USE AND OPERATION:

This pushbutton valve allows oil passage in a hydraulic circuit by means of a slider. Once the manual button is set into action oil flows from P towards T or the other way round. Basically are used as emergency button on the lifting equipment.

MATERIALS AND FEATURES:

Body: zinc-plated steel.

Internal parts: hardened and ground steel.

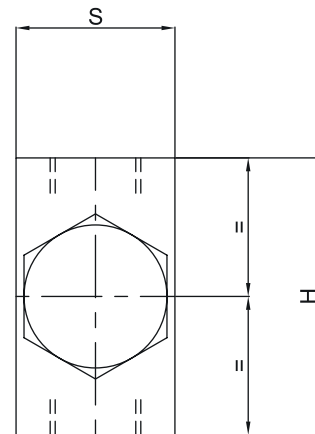
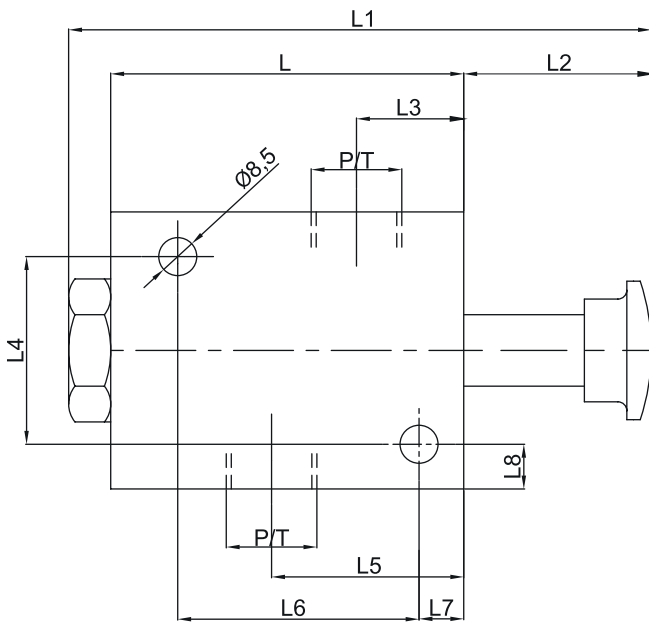
Seals: BUNA N standard

Tightness: minor leakage.

APPLICATIONS:

Connect the ports P and T to either distributor and circuit. When the button is pressed the flow is free, otherwise the flow is blocked in both directions.

CODE	TYPE	MAX FLOW Lt. / min	MAX PRESSURE Bar
V1320	VEM 1/2"	70	350



14

CODE	TYPE	P/T GAS	L mm	L1 mm	L2 mm	L3 mm	L4 mm	L5 mm	L6 mm	L7 mm	L8 mm	H mm	S mm	WEIGHT Kg.
V1320	VEM 1/2"	G 1/2"	79	130	42	24	42	43	54	10	10	62	35	1,220