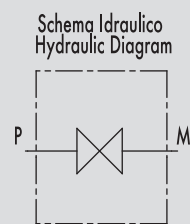


HYDRAULIC DIAGRAM



GAUGE ISOLATOR - IN LINE AND 90° TYPE

USE AND OPERATION:

These valves are used to open or close the oil flow to the gauge in a hydraulic system.

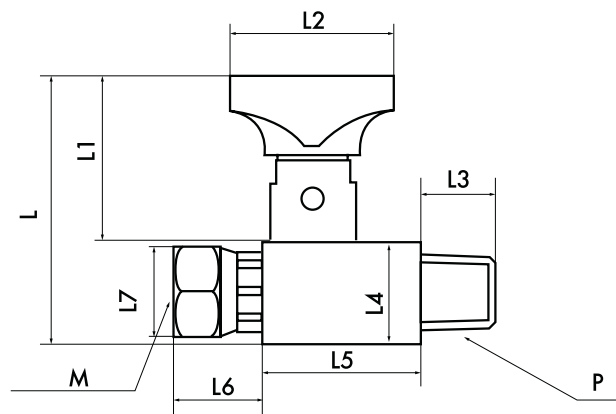
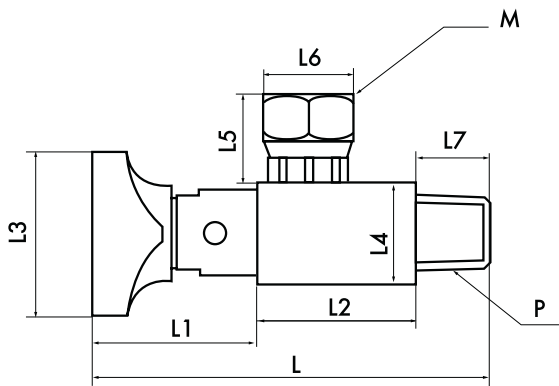
MATERIALS AND FEATURES:

Body: nickel steel
Seal: NBR

APPLICATIONS:

Screw the gauge isolator to the hydraulic system to the male port P and fix the gauge to female port M. In order to open or close the flow turn the knob.

CODE	TYPE	WORKING PRESS. Bar	MAX PRESSURE Bar
EM001L	EML 1/4" MF	400	600
EM001N	EM90° 1/4" MF	400	600



14

CODE	TYPE	P BSPT	M BSP	L mm	L1 mm	L2 mm	L3 mm	L4 mm	L5 mm	L6 mm	L7 mm	WEIGHT Kg.
EM001L	EML 1/4" MF	M 1/4"	F 1/4"	49,7	30,7	30,3	13,8	19	30	16,2	17	0,142
EM001N	EM90° 1/4" MF	M 1/4"	F 1/4"	72	29,5	29	30,3	19	16,2	17	13,8	0,140