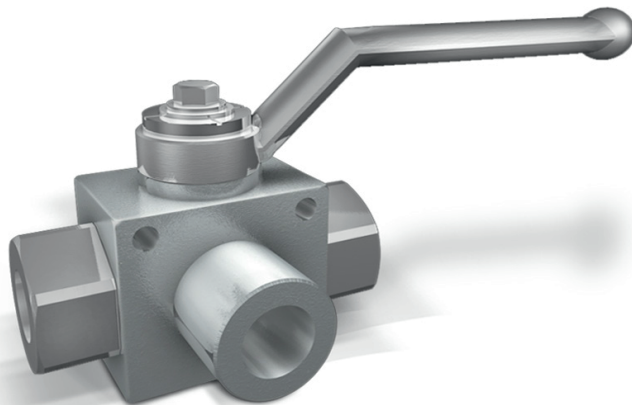
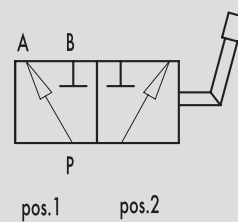


TYPE
RS 3



HYDRAULIC DIAGRAM



BALL VALVES 3 WAYS

USE AND OPERATION:

These valves are used to divert the inlet flow towards 2 alternate ports (L scheme).

MATERIALS AND FEATURES:

Body: zinc-plated steel
Internal parts: ground and chromium-plated steel
Seals: BUNA N standard and POM seals
Ball type and seals: any leakage

APPLICATIONS:

Connect P to the pressure flow, A and B to the circuit ports where the flow has to be diverted. With lever at 90° flow is connected in port A (position 1), with lever in line flow is connected in port B (position 2).

A RICHIESTA:

- fixing holes (CODE/FF)
- NPT thread (code VN... instead of V0... example: RS 3 VIE 1/4" NPT code = VN832)

DIN/150 228 BSP FEMALE CONNECTION

CODICE CODE	SIGLA TYPE	PN BAR	DN mm	A-B-P GAS	L mm	L1 mm	L2 mm	L3 mm	L4 mm	L5 mm	ØG mm	H mm	H1 mm	S mm	S1 mm	PESO WEIGHT Kg.
V0832	RS 3 VIE 1/4"	500	6	G 1/4"	42,5	70	110	14	34	4,5	5,25	35	90	25	47	0,50
V0842	RS 3 VIE 3/8"	500	10	G 3/8"	44,5	76	110	19	34	4,5	5,25	40	95	30	49	0,70
V0852	RS 3 VIE 1/2"	500	13	G 1/2"	48,5	83	110	17,5	36	5	5,25	40	95	40	60	0,80
V0862	RS 3 VIE 3/4"	400	20	G 3/4"	62,5	95	180	24,5	50	6	6,25	55	110	55	81	1,50
V0872	RS 3 VIE 1"	350	25	G 1"	66,5	110	180	26,5	50	6	6,25	60	120	60	93	2,35
V0873	RS 3 VIE 1" 1/4	350	25	G 1"1/4	66,5	123	180	26,5	50	6	6,25	60	120	60	93	2,50
V0875	RS 3 VIE 1" 1/2	350	25	G 1"1/2	66,5	128	180	26,5	50	6	6,25	60	120	60	93	2,70

