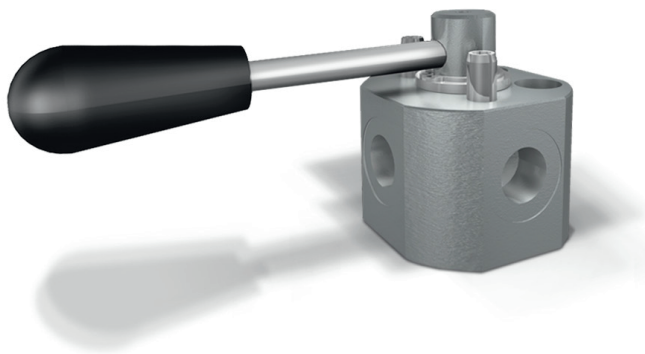
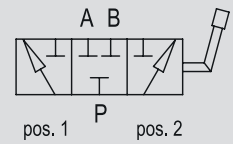
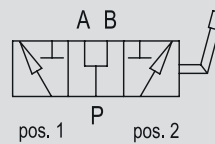


TYPE  
**DF AP**



HYDRAULIC DIAGRAM  
(with opened centre)

ON REQUEST  
(with closed centre)



## HIGH PRESSURE 3-WAYS DIVERTER VALVE, STEEL BODY

### USE AND OPERATION:

Diverter flow is used to divert the flow towards 2 different outlets.

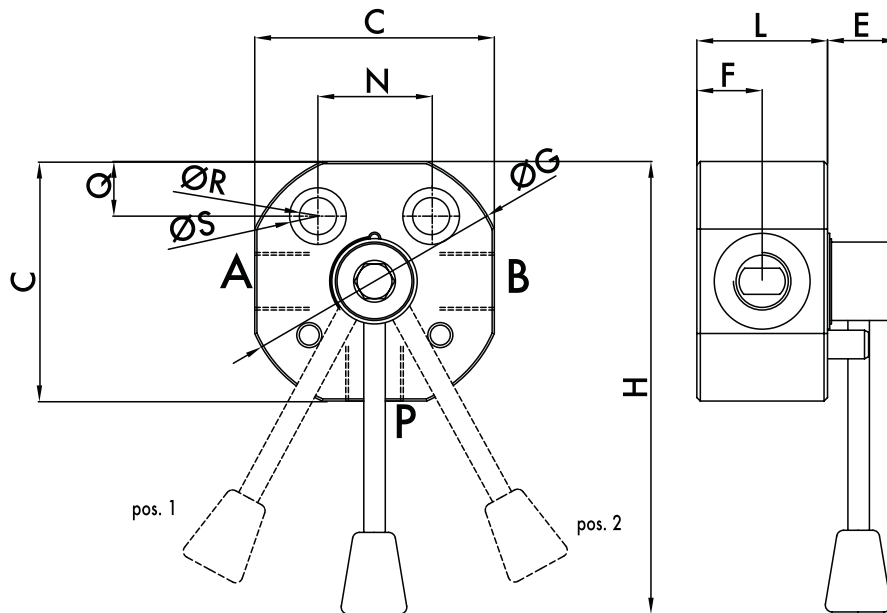
### MATERIALS AND FEATURES:

Body: steel  
Internal parts: hardened and ground steel  
Seals: BUNA N standard and anti-extrusion rings  
Tightness: minor leakage

### APPLICATIONS:

Connect P to the pressure flow, A and B to the ports of the hydraulic circuit where flow has to be diverted. With lever in position 1 the flow is connected towards port A; with lever in position 2, the flow is connected towards port B. With lever in central position ports P, A and B are all connected (opened centre).

CODE	TYPE	MAX FLOW Lt. / min	MAX PRESSURE Bar
<b>V0879/AP</b>	DF 3 VIE 1/4" AP ACC.	20	500
<b>V0881/AP</b>	DF 3 VIE 3/8" AP ACC.	35	500
<b>V0891/AP</b>	DF 3 VIE 1/2" AP ACC.	60	500
<b>V0901/AP</b>	DF 3 VIE 3/4" AP ACC.	100	500
<b>V0911/AP</b>	DF 3 VIE 1" AP ACC.	180	500



CODE	TYPE	A-B P GAS	C mm	N mm	Q mm	H mm	ØR mm	ØS mm	ØG mm	F mm	L mm	E mm
<b>V0879/AP</b>	DF 3 VIE 1/4" AP ACC.	1/4"	56	26	10	148	8,5	13,5	62	23,5	42,5	21
<b>V0881/AP</b>	DF 3 VIE 3/8" AP ACC.	3/8"	56	26	10	148	8,5	13,5	62	23,5	42,5	21
<b>V0891/AP</b>	DF 3 VIE 1/2" AP ACC.	1/2"	70	32	11	160	10,5	17	86	26	42,5	21
<b>V0901/AP</b>	DF 3 VIE 3/4" AP ACC.	3/4"	80	32	11	165	10,5	17	100	31	58	20
<b>V0911/AP</b>	DF 3 VIE 1" AP ACC.	1"	90	32	11	170	10,5	17	108	33	62	20