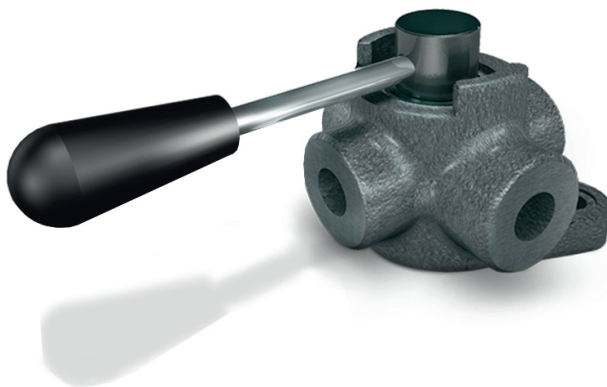
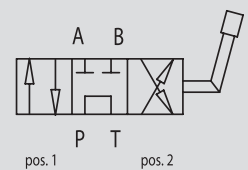
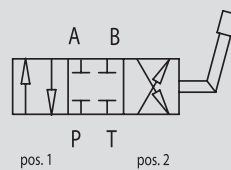


TYPE
IF 4



HYDRAULIC DIAGRAM
(with closed centre)

ON REQUEST
(with opened centre)



4-WAYS DIVERTER VALVES

USE AND OPERATION:

This valve is used to reverse oil flow from 2 ways in towards two ways out. It could be used to control a double acting actuators or to reverse the rotation of an hydraulic motor.

MATERIALS AND FEATURES:

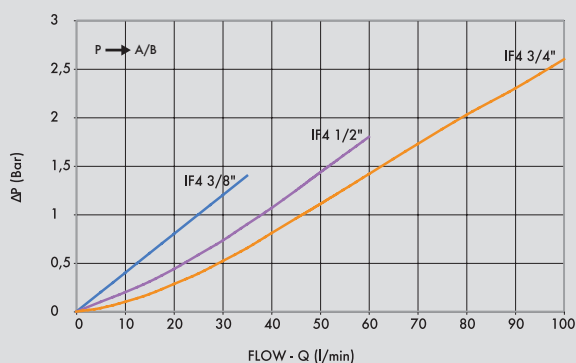
Body: cast iron
Internal parts: hardened and ground steel
Seals: BUNA N standard
Tightness: low leakage

APPLICATIONS:

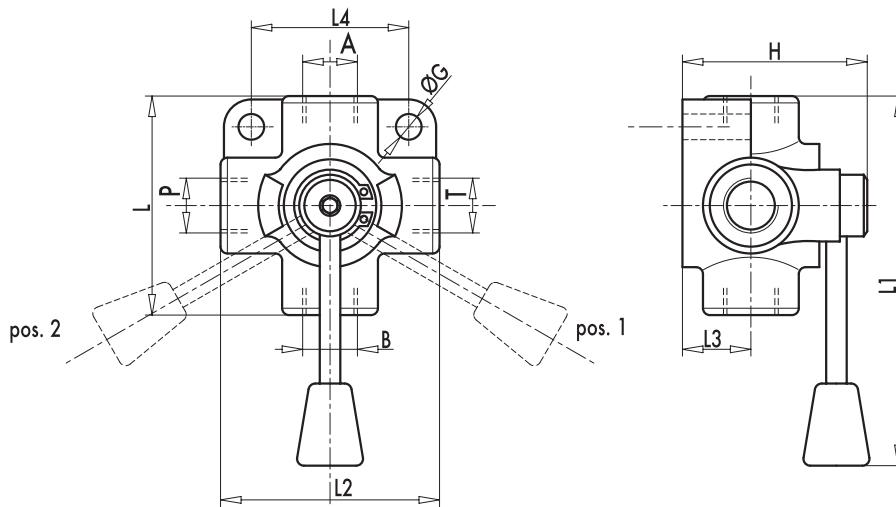
Connect P to the pressure flow, T to return and ports A and B to the actuators or motor. With lever in position 1, P is connected to A and at the same time B drains into the tank T; with lever in position 2, P is connected to B and at the same time A drains into tank T. With lever in central position all ports are closed (closed centre).

A RICHIESTA:

- Open centre (CODE/CA).



CODE	TYPE	MAX FLOW L _f / min	MAX PRESSURE Bar
V0970	IF 4 VIE 3/8"	35	250
V0980	IF 4 VIE 1/2"	60	250
V0990	IF 4 VIE 3/4"	100	250



CODE	TYPE	A-B P-T GAS	L mm	L1 mm	L2 mm	L3 mm	L4 mm	ØG mm	H mm	WEIGHT Kg.
V0970	IF 4 VIE 3/8"	G 3/8"	76	140	76	26	54	8,5	72	1,346
V0980	IF 4 VIE 1/2"	G 1/2"	88	145	88	30	65	8,5	82	1,928
V0990	IF 4 VIE 3/4"	G 3/4"	95	180	95	32	74	8,5	90	2,534