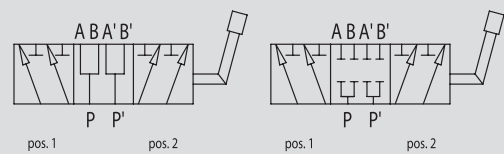


TYPE  
**DF 6**



HYDRAULIC DIAGRAM  
(with opened centre)

ON REQUEST  
(with closed centre)



## 6-WAYS DIVERTER VALVES

### USE AND OPERATION:

This valve is made up by two 3-ways diverters coupled: each of the 2 parts is used to divert the inlet flow towards two ports. The single lever controls both the parts at the same time. It's ideal to control 2 actuators.

### MATERIALS AND FEATURES:

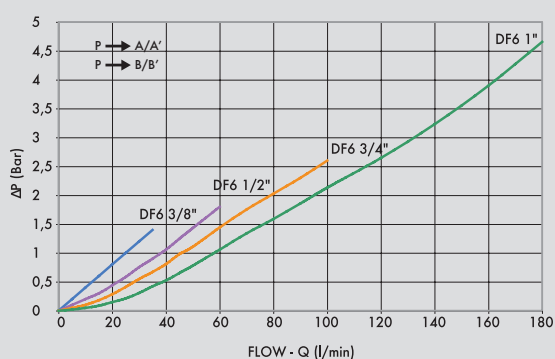
Body: cast iron  
Internal parts: hardened and ground steel  
Seals: BUNA N standard  
Tightness: minor leakage

### APPLICATIONS:

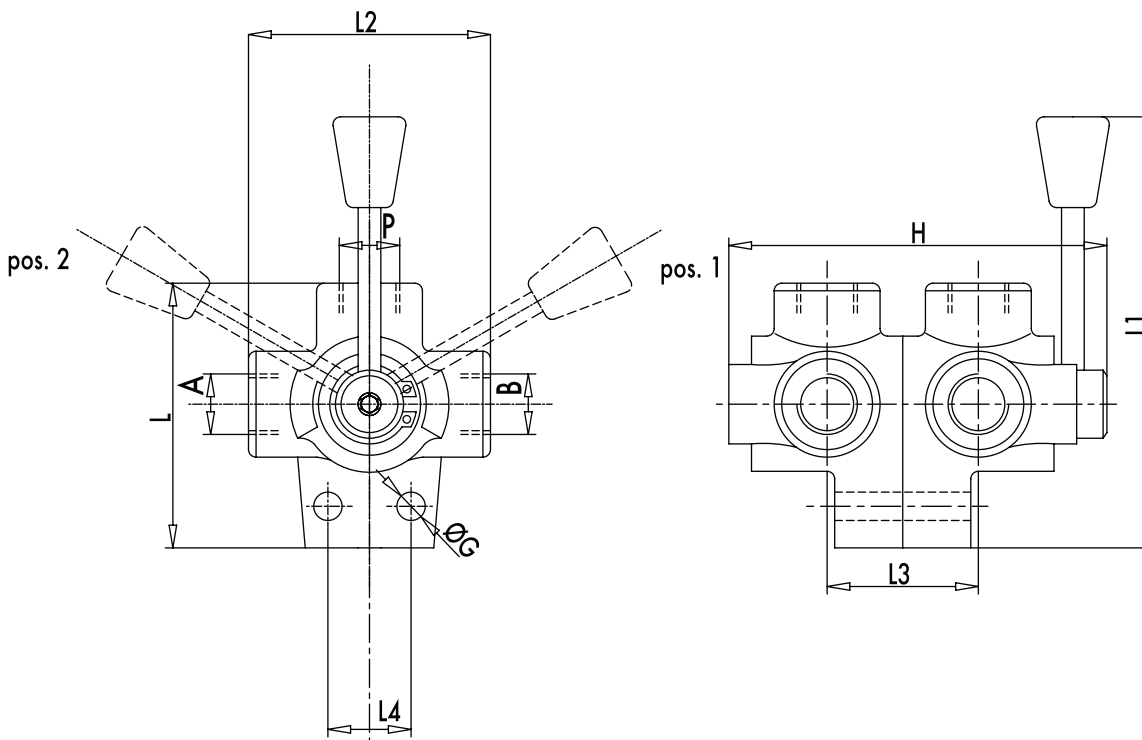
Connect P and P' to the 2 pressure flows, ports A and B to the first actuator and ports A' and B' to the second actuator. With lever in position 1, P is connected to A and P' to A'; with lever in position 2, P is connected to B and P' to B'. With lever in central position all ports are connected among each other (opened centre).

### A RICHIESTA:

- Closed centre (CODE/CC)



CODE	TYPE	MAX FLOW L <sub>f</sub> / min	MAX PRESSURE Bar
<b>V0920</b>	DF 6 VIE 3/8"	35	250
<b>V0940</b>	DF 6 VIE 1/2"	60	250
<b>V0950</b>	DF 6 VIE 3/4"	100	250
<b>V0960</b>	DF 6 VIE 1"	180	250



CODE	TYPE	A-B P-T GAS	L mm	L1 mm	L2 mm	L3 mm	L4 mm	ØG mm	H mm	WEIGHT Kg.
<b>V0920</b>	DF 6 VIE 3/8"	G 3/8"	76	140	68	45	26	8,5	117	1,688
<b>V0940</b>	DF 6 VIE 1/2"	G 1/2"	87	145	80	51	32	8,5	125	2,628
<b>V0950</b>	DF 6 VIE 3/4"	G 3/4"	103	150	94	55	32	11	140	4,634
<b>V0960</b>	DF 6 VIE 1"	G 1"	105	152	98	60	32	11	155	4,238