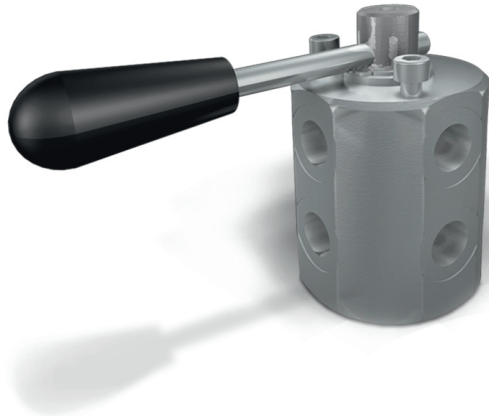
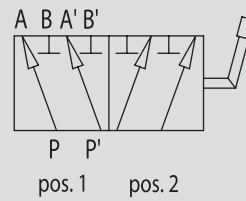


TYPE
DF 6A



HYDRAULIC DIAGRAM



6-WAYS DIVERTER VALVES, STEEL BODY

USE AND OPERATION:

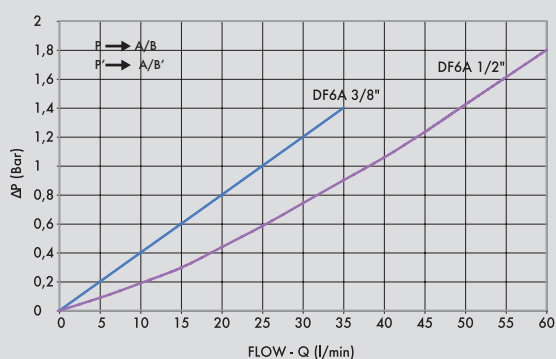
This valve is used to divert the flow from 2 ways in towards 4 ports (two at a time alternatively). They are used to control 2 actuators.

MATERIALS AND FEATURES:

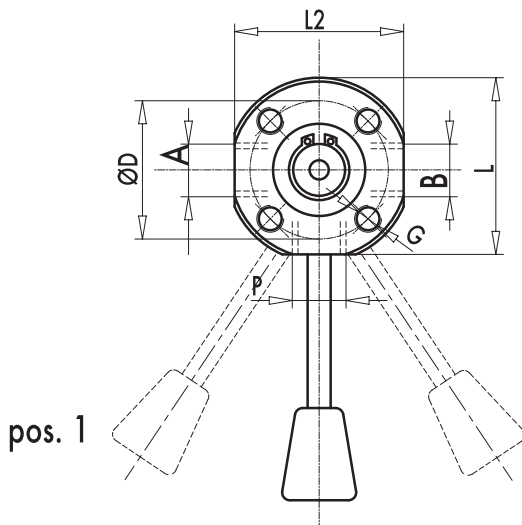
Body: zinc-plated steel
Internal parts: hardened and ground steel
Seals: BUNA N standard
Tightness: minor leakage

APPLICATIONS:

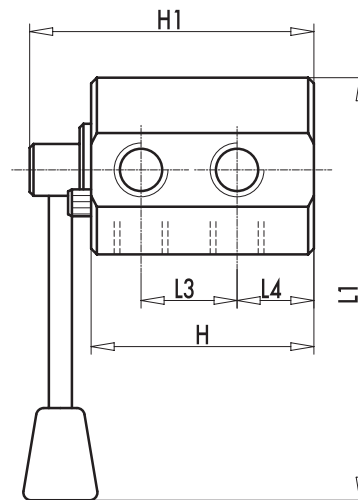
Connect P and P' to the 2 pressure flows, ports A and A' to the first actuator and ports B and B' to the second actuator. With lever in position 1, P is connected to A and A'; with lever in position 2, P is connected to B and B'. Use with lever in central position is not recommended.



CODE	TYPE	MAX FLOW L _t / min	MAX PRESSURE Bar
V0930	DF 6 VIE 3/8" ACCIAIO	40	300
V0932	DF 6 VIE 1/2" ACCIAIO	60	300



pos. 2



CODE	TYPE	A-B P-T GAS	L mm	L1 mm	L2 mm	L3 mm	L4 mm	ØD mm	H mm	H1 mm	G mm	WEIGHT Kg.
V0930	DF 6 VIE 3/8" ACCIAIO	G 3/8"	60	140	58	32	25	47	74	96	M8	1,540
V0932	DF 6 VIE 1/2" ACCIAIO	G 1/2"	69	145	66	37	27	47	83	105	M8	2,294