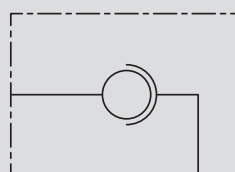
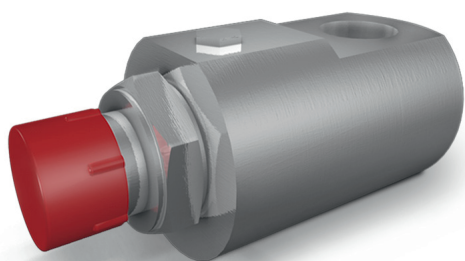


TYPE
GG 90°

HYDRAULIC DIAGRAM



90 DEGREE ROTATING COUPLING

USE AND OPERATION:

These valves are mounted between the end of a flexible hose and a fixed component to compensate hose's rotations and torsions and to prevent its damaging. They are not suitable for fast and continuous rotations. They are used in every production field where systems have flexible moving hose. 90° mounting.

MATERIALS AND FEATURES:

Body: zinc-plated steel
Tightness: low friction seals

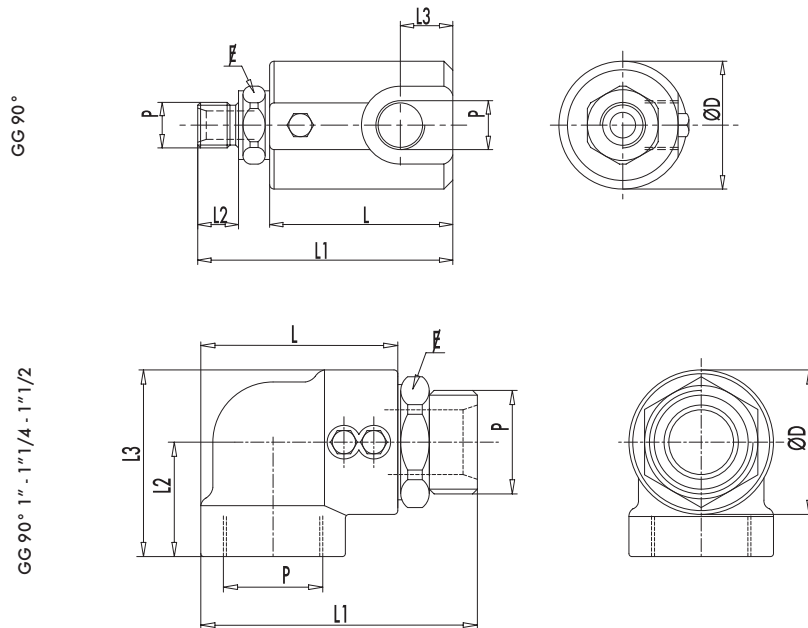
APPLICATIONS:

Connect ports P to the uses.

A RICHIESTA:

- NPT thread (code GN... instead of G...
example: GG 90° 1/4" NPT code = GN0990)
- GX Inox (code GX... instead of G...
example: GGL 1/4"INOX code = GX1050)

CODE	TYPE	MAX FLOW Lt. / min	MAX ROTATION PRESSURE Bar	MAX PRESSURE Bar
G0990	GG 90° 1/4"	25	200	400
G1010	GG 90° 3/8"	35	200	400
G1020	GG 90° 1/2"	60	150	300
G1030	GG 90° 3/4"	100	150	300
G1040	GG 90° 1"	180	100	300
G1042	GG 90° 1" 1/4	270	100	300
G1043	GG 90° 1" 1/2	350	80	300
G1044	GG 90° 2"	700	50	250



CODE	TYPE	P GAS	L mm	L1 mm	L2 mm	L3 mm	f mm	ØD mm	WEIGHT Kg.
G0990	GG 90° 1/4"	1/4"	50	69	11	11	19	34	0,312
G1010	GG 90° 3/8"	3/8"	54	76	14	13	24	38	0,418
G1020	GG 90° 1/2"	1/2"	63	87	15	14	27	40	0,522
G1030	GG 90° 3/4"	3/4"	74	104	19	19,5	34	54,5	0,898
G1040	GG 90° 1"	1"	87	119	21	24	41	60	1,122
G1042	GG 90° 1" 1/4	1" 1/4	84	119,5	52	82	50	63	1,746
G1043	GG 90° 1" 1/2	1" 1/2	102	140	62	101	55	77	3,070
G1044	GG 90° 2"	2"	107	151	64	107	65	84	3,300