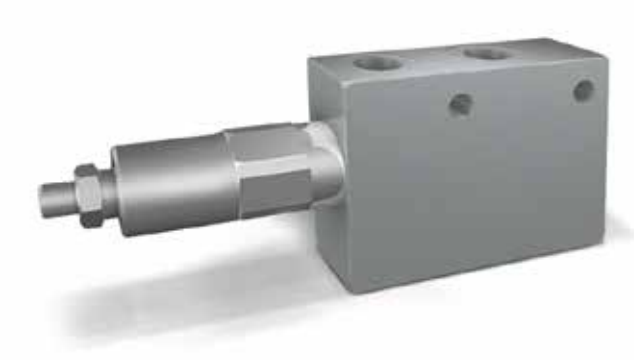
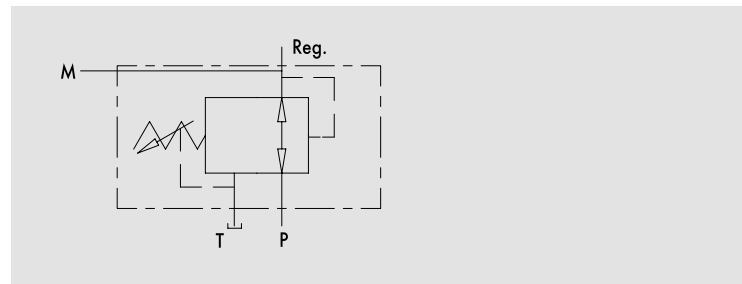


Druckreduzierventil

TYPE
VRP



HYDRAULIC DIAGRAM



PRESSURE REDUCING VALVE, DIRECT ACTING POPPET

USE AND OPERATION:

This valve allows to preserve constant the pressure downstream, regardless of the upstream pressure.

MATERIALS AND FEATURES:

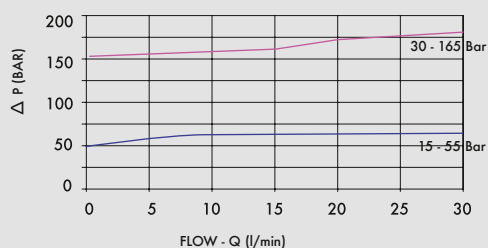
Body: zinc-plated steel.
Internal parts: hardened and ground steel.
Seals: BUNA N standard
Leakage: 70 cc/min (350 Bar to port P)

APPLICATIONS:

Connect P to the main circuit, the port Reg. to the circuit where you want to reduce pressure and port T to the tank.

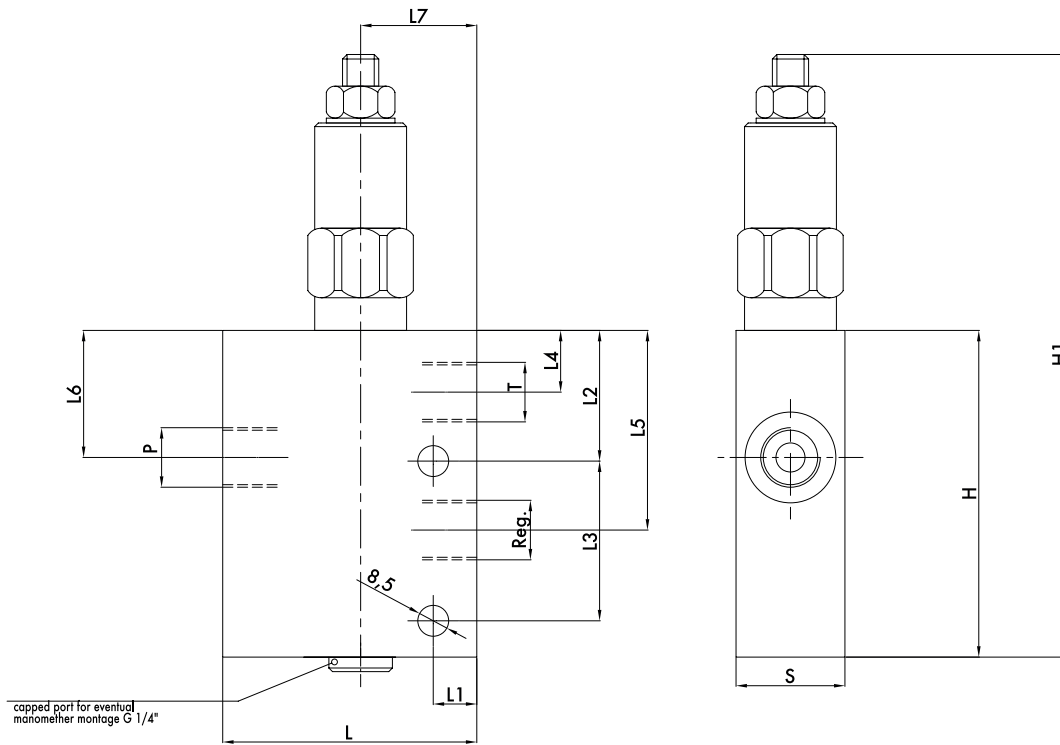
PRESSURE / FLOW

Oil temperature: 50° C - Oil viscosity: 30 cSt



| CODE | TYPE | MAX FLOW Lt. / min | MAX PRESSURE Bar |
|-------------------|----------|-----------------------|---------------------|
| V0704/000* | VRP 3/8" | 30 | 350 |
| V0706/000* | VRP 1/2" | 30 | 350 |

*000 = please specify the desired setting range. See the table below.



7

| CODE | TYPE | P - T - Reg GAS | L mm | L1 mm | L2 mm | L3 mm | L4 mm | L5 mm | L6 mm | L7 mm | H mm | H1 mm | S mm | WEIGHT Kg |
|-------------------|----------|--------------------|---------|----------|----------|----------|----------|----------|----------|----------|---------|----------|---------|--------------|
| V0704/000* | VRP 3/8" | 3/8" | 70 | 12 | 36 | 44 | 17 | 55 | 35 | 32 | 90 | 168 | 30 | 1,530 |
| V0706/000* | VRP 1/2" | 1/2" | 70 | 12 | 36 | 44 | 17 | 55 | 35 | 32 | 90 | 168 | 30 | 1,468 |

| CODE | SETTING RANGE (Bar) |
|----------------|---------------------|
| COD/055 | 15 - 55 |
| COD/165 | 30 - 165 |

ADJUSTEMENT

| | |
|---------|----------------------------|
| CODE/V | • Handknob |
| CODE/PP | • Arranged for sealing cap |
| CODE/PP | • Sealing cap |