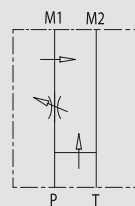


3-Wege Stromregelventil mit drucklosem Restölstrom flanschbar für Danfoss OMP/OMR

TYPE
RFP3 OMP/OMR



HYDRAULIC DIAGRAM



FLOW CONTROL VALVE EXCESS TO TANK FLANGEABLE ON DANFOSS MOTORS OMP/OMR

USE AND OPERATION:

This valve enables to keep "P" flow constant to a certain setting, independently of the required pressure or the inlet flow of the valve. Exceeded flow is drained directly in T (tank).

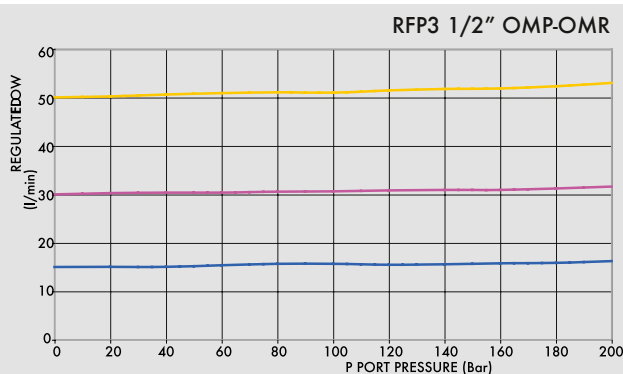
MATERIALS AND FEATURES:

Body: zinc-plated steel
Internal parts: hardened and ground steel
Seal: BUNA N standard
Tightness: by diameter combination.
Minor leakage (few drops per minute)

APPLICATIONS:

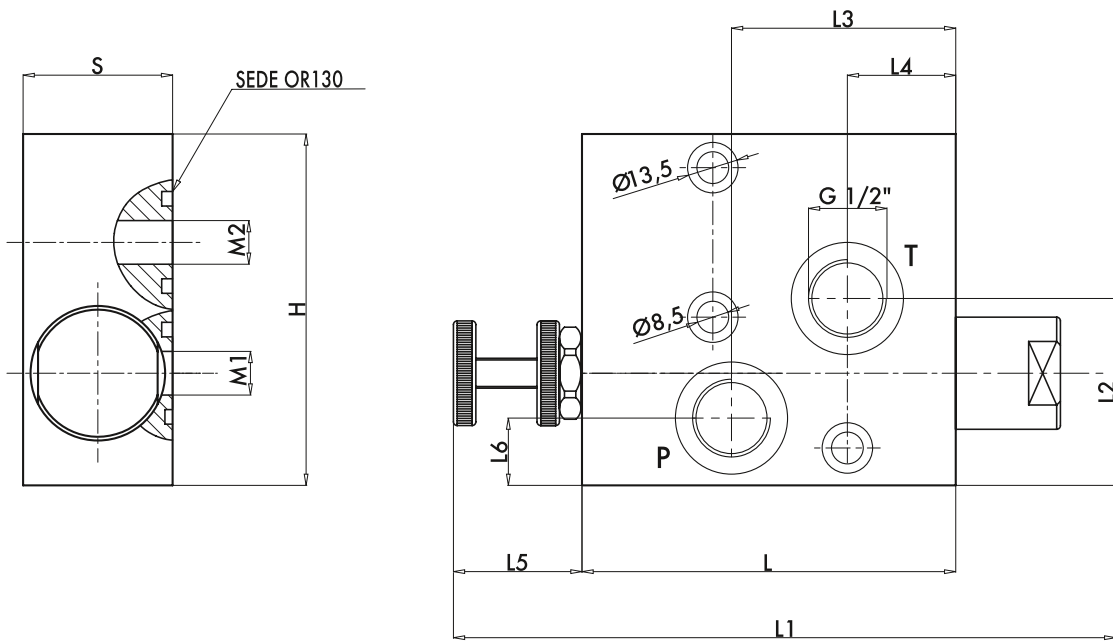
Connect M1 and M2 to the motor and P and T to the pressure.

COMPENSATION CURVE



Oil temperature: 50° C - Oil viscosity: 30 cSt

CODE	TYPE	MAX INLET FLOW Lt. / min	MAX ADJUSTED FLOW Lt. / min	MAX PRESSURE Bar
V1121	RFP3 1/2" OMP/OMR	60	50	350



CODE	TYPE	P. T GAS	L mm	L1 mm	L2 mm	L3 mm	L4 mm	L5 mm	L6 mm	H mm	S mm	WEIGHT kg
V1121	RFP3 1/2" OMP/OMR	G1/2"	100	168	50	60	29	40	18	94	40	1,950