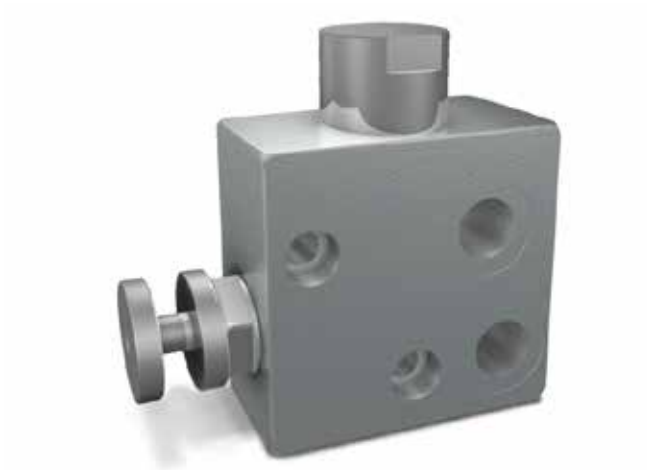
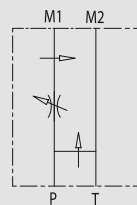


## 3-Wege Stromregelventil mit drucklosem Restölstrom für Danfoss Motoren OMS

TYPE  
**RFP3 OMS**



HYDRAULIC DIAGRAM



### FLOW CONTROL VALVE EXCESS TO TANK FLANGEABLE ON DANFOSS MOTORS OMS

#### USE AND OPERATION:

This valve enables to keep "P" flow constant to a certain setting, independently of the required pressure or the inlet flow of the valve. Exceeded flow is drained directly in T (tank).

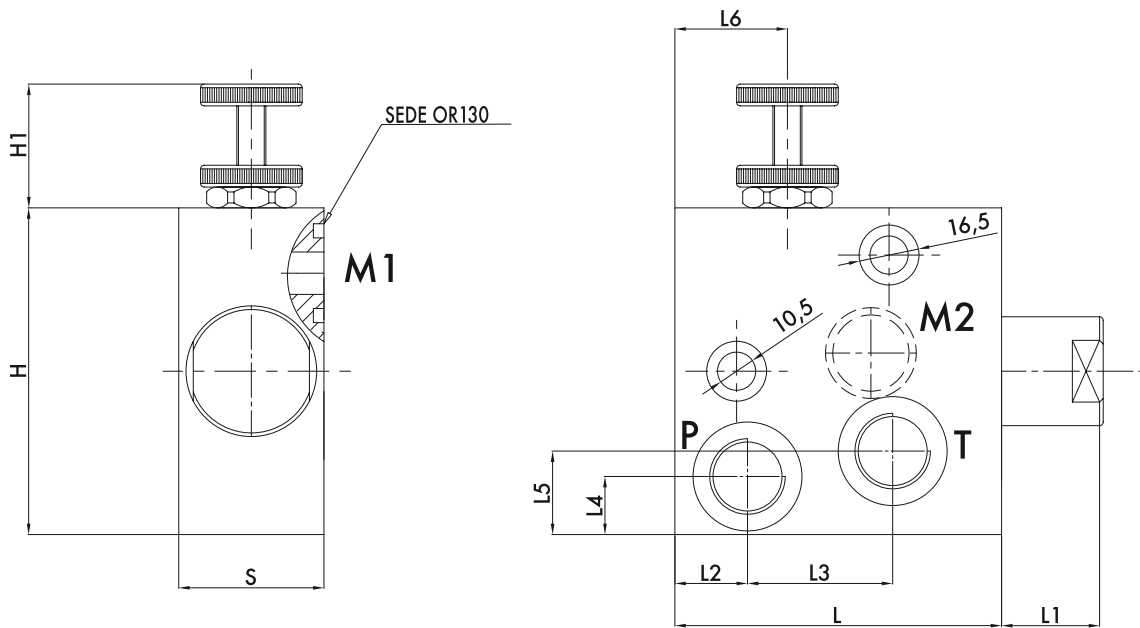
#### MATERIALS AND FEATURES:

Body: zinc-plated steel  
Internal parts: hardened and ground steel  
Seal: BUNA N standard  
Tightness: by diameter combination. Minor leakage (few drops per minute)

#### APPLICATIONS:

Connect M1 and M2 to the motor and P and T to the pressure.

CODE	TYPE	MAX INLET FLOW Lt. / min	MAX ADJUSTED FLOW Lt. / min	MAX PRESSURE Bar
<b>V1122</b>	RFP3 1/2" OMS	60	50	350



CODE	TYPE	P. T GAS	L mm	L1 mm	L2 mm	L3 mm	L4 mm	L5 mm	L6 mm	H mm	H1 mm	S mm	WEIGHT kg
<b>V1122</b>	RFP3 1/2" OMS	G1/2"	90	26	20	40	16	23	31	90	35	40	2,410