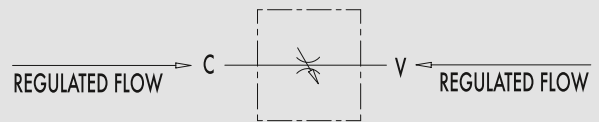


Drosselventil mit Handrad 90°

TYPE
VRFB 90°



HYDRAULIC DIAGRAM



90° FLOW REGULATOR VALVES

USE AND OPERATION:

This valve is used to adjust flow speed of actuators in both directions. As pressure compensation is not provided, flow adjustment depends on pressure and fluid viscosity. High adjustment sensitivity.

MATERIALS AND FEATURES:

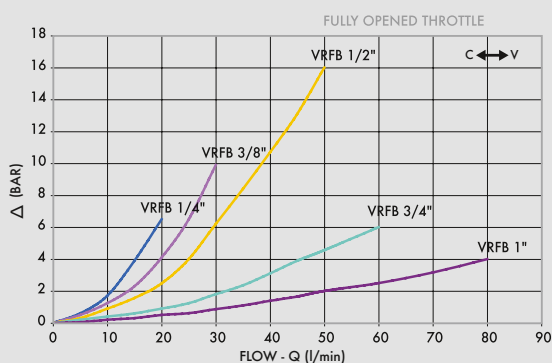
Body: zinc-plated steel
Internal parts: hardened and ground steel
Seal: BUNA N standard
Tightness: needle type. Minor leakage with closed valve.

APPLICATIONS:

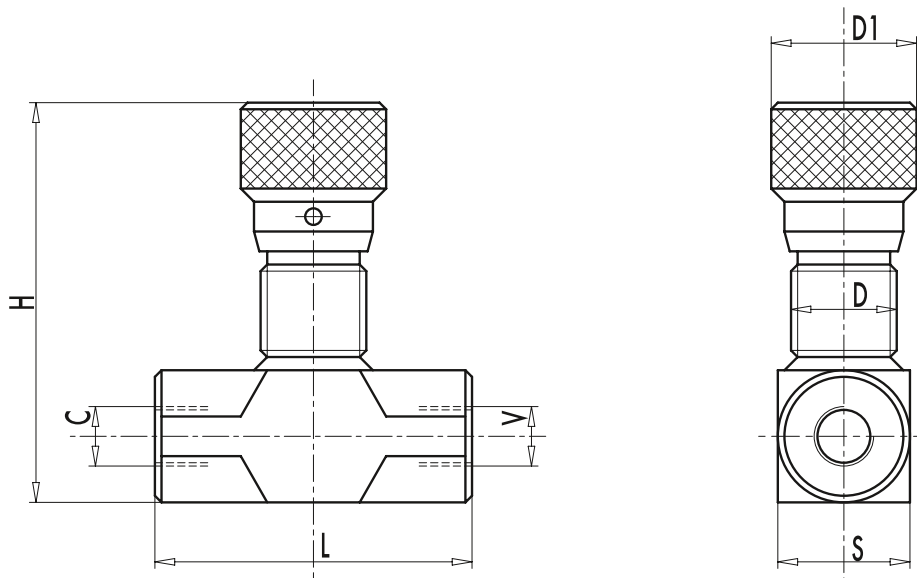
Connect a port to the pressure. Flow will be adjusted in the other one. When used on actuator with double pilot check valve, VRFB 90° has to be mounted between the actuator and the double pilot check valve. Flow adjustment is made by rotating the plastic hand knob after loosening the side locking screw. This particular configuration allows an accurate and sensitive adjustment.

DROPS CURVE

Oil temperature: 50° C - Oil viscosity: 30 cSt



CODE	TYPE	MAX FLOW Lt. / min	MAX PRESSURE Bar
V0584	VRFB 90° 1/4"	15	350
V0586	VRFB 90° 3/8"	30	350
V0587	VRFB 90° 1/2"	50	350
V0589	VRFB 90° 3/4"	80	280
V0577	VRFB 90° 1"	110	250



CODE	TYPE	V - C GAS	L mm	D mm	D1 mm	H mm	S mm	WEIGHT kg
V0584	VRFB 90° 1/4"	G1/4"	60	M22X1,5	32	82	25	0,366
V0586	VRFB 90° 3/8"	G3/8"	61	M22X1,5	32	82	25	0,352
V0587	VRFB 90° 1/2"	G1/2"	70	M22X1,5	32	87	30	0,468
V0589	VRFB 90° 3/4"	G3/4"	89	M35X1,5	42	108,5	40	1,080
V0577	VRFB 90° 1"	G1"	90	M35X1,5	42	129	40	1,000