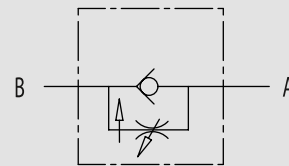


Drosselrückschlagventil mit Handrad - ölstromunempfindlich 90°



HYDRAULIC DIAGRAM



COMPENSATED 90° FLOW REGULATOR VALVES

USE AND OPERATION:

This valve is used to adjust flow speed of actuators in one direction; flow is free in the reverse one. The internal compensation system allows to keep a constant speed even when the load varies. High adjustment sensitivity.

MATERIALS AND FEATURES:

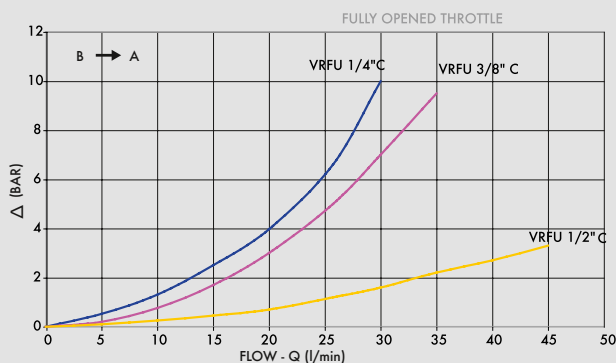
Body: zinc-plated steel
Internal parts: hardened and ground steel
Seal: BUNA N standard
Tightness: needle type.

APPLICATIONS:

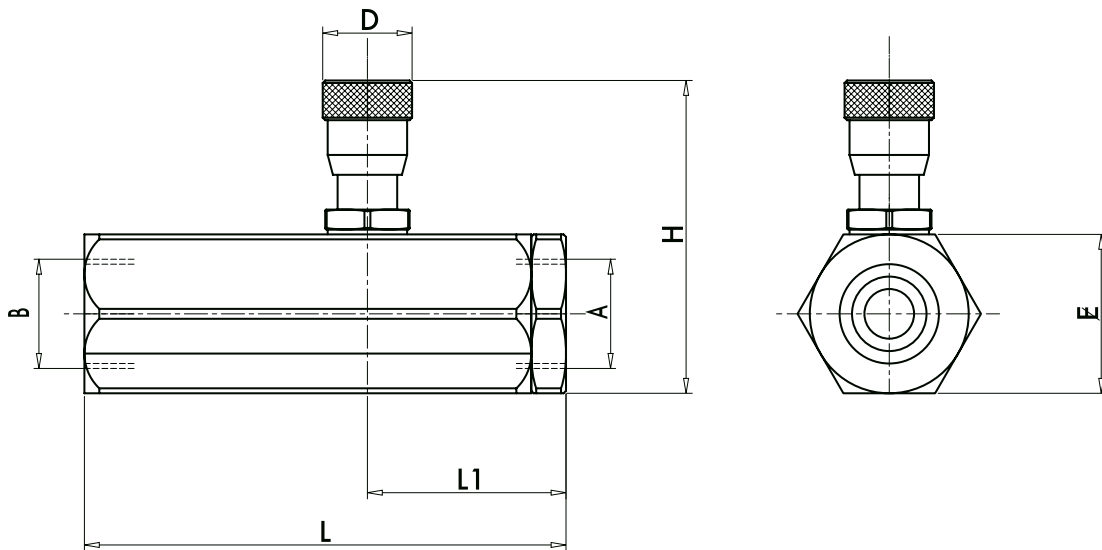
Connect A to the pressure flow and B to the actuator to set; flow is adjust from B to A and is free in the reverse direction. Flow adjustment is made by rotating the hand knob after loosening the side locking screw. This particular configuration allows an accurate and sensitive adjustment.

PRESSURE DROPS CURVE

Oil temperature: 50° C - Oil viscosity: 30 cSt



CODE	TYPE	MAX FLOW from A to B Lt. / min	MAX FLOW from B to A Lt. / min	MAX PRESSURE Bar
V0581/C	VRFU 90° 1/4" COMPENSATO	17	25	250
V0582/C	VRFU 90° 3/8" COMPENSATO	17	30	250
V0583/C	VRFU 90° 1/2" COMPENSATO	28	45	250



CODE	TYPE	A . B GAS	L mm	L1 mm	D1 mm	H MAX mm	E mm	WEIGHT kg
V0581/C	VRFU 90° 1/4" COMPENSATO	G1/4"	88	37	20	64	32	0,524
V0582/C	VRFU 90° 3/8" COMPENSATO	G3/8"	88	37	20	64	32	0,510
V0583/C	VRFU 90° 1/2" COMPENSATO	G1/2"	107	46	20	76	36	0,700